

102D RATE TOTALISER

The 102D has an LCD display of flowrate and flow total. It takes the output from flowmeters and can be used for local or remote indication.

Easy to use ✓

- Quick and easy to setup
- Preset to your requirements
- Displays rate, total & accumulated total

Low Cost ✓

Battery Powered ✓

Highly accurate ✓

- Improve product quality
- Reduce waste and save money

Versatile ✓

- Works with most flowmeters
- Waterproof enclosure
- Mounts on the pipe, wall or flowmeter



Application

The 102D Rate Totaliser is designed to display the flow rate and total of your process liquid. You can use it for monitoring, controlling, dispensing, blending or filling of any liquid when used with a wide variety of flowmeters. It is ideal for areas where a power supply is not available.

Setup

The rate and totals can be displayed in any engineering units, for example litres per minute and barrels. The setup is easy via the front keypad and it can be preset for your requirements.

Operation

The flowrate and resettable total are displayed simultaneously. The 102D stores a non resettable total to monitor long term consumption.

Installation

The 102D can be mounted directly on to your flowmeter, wall mounted or pipe mounted. Cables are installed via waterproof cable glands.

Construction

The instrument is housed in a polycarbonate enclosure that is completely watertight.

102D Rate Totaliser

Specifications

Display:	LCD which is continuously powered
Resettable total:	7 digits 10mm high Resettable from the front panel
Accumulated total: (Non resettable)	Displayed when the ACCUMTOT button is pressed
Rate:	4 digits 8.5 mm high
K-factor:	The pulses per unit of measurement (eg pulses/litre) is programmable in the range 0.0000001 to 999,999
Decimal points:	Decimal point positions are selectable for both rate and total
Timebase:	Rate can be displayed in units per second minute, hour or day
Frequency range:	0.01 to 5 kHz
Signal type:	Switch settable for sinewave (15mV peak to peak min), open collector, reed switch or pulse.

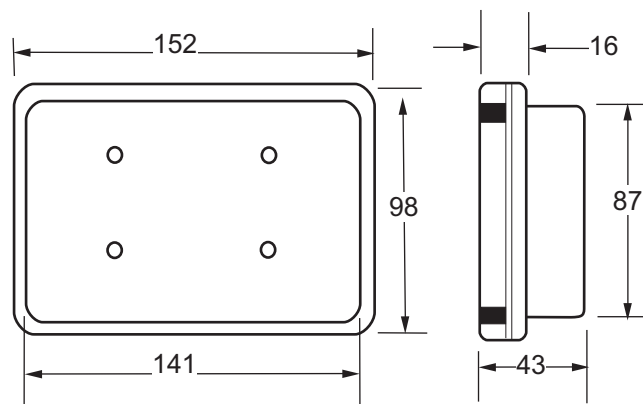
Physical

Temperature:	-20°C to 60°C
Mounting:	Universal mounting bracket supplied for mounting on wall or panel.
Mounting options available:	1. Pipe mounting kit to fix the unit on to a pipe. 2. Adapter for mounting the instrument on to flowmeters.
Protection:	Sealed to IP67
Cable entry:	Via cable glands.

Batteries

Type:	Two easily replaceable lithium batteries
Battery life:	2 years

Dimensions



All dimensions in mm.

Contact our flow measurement specialists for
advice on your application

Tel: 01922 645647

Fax: 01922 640326

e:mail sales@apolloflow.co.uk

website www.apolloflow.co.uk

CE
Compliant

Apollo Flowmeters, Charles Street, Walsall WS2 9LZ

APOLLO

