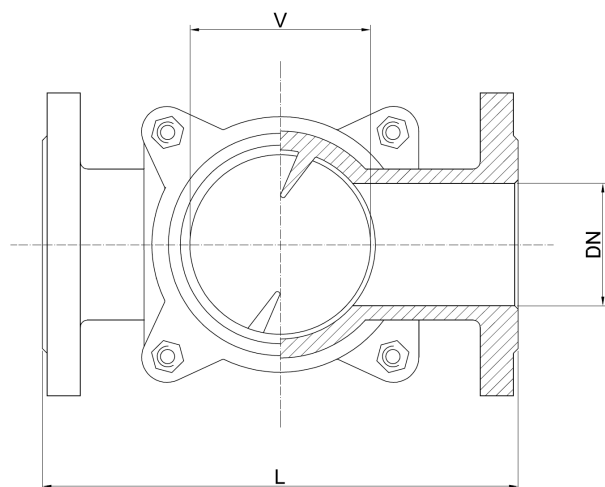




sight glasses



SIGHT GLASS DOUBLE WINDOW



Code: DS SHFDG

CAST IRON

Standard execution:

- Tempered glasses
- Fixed vanes
- Flanges UNI PN6-10-16 or ANSI 150

On request:

- Borosilicate glasses
- Threaded connections or welding connections SW

**CARBON STEEL or
STAINLESS STEEL AISI 316**

Standard execution:

- Tempered glasses
- Flanges UNI PN6-10-16 or ANSI 150

On request:

- Borosilicate glasses
- Threaded connections or welding connections SW
- Fixed vanes
- Fan wheel
- Floating ball
- Clapet

| DN | L | V |
|-----|-----|-----|
| 15 | 130 | 44 |
| 20 | 150 | 44 |
| 25 | 160 | 44 |
| 32 | 180 | 50 |
| 40 | 200 | 50 |
| 50 | 230 | 60 |
| 65 | 290 | 90 |
| 80 | 310 | 90 |
| 100 | 350 | 110 |
| 125 | 400 | 142 |
| 150 | 480 | 160 |
| 200 | 600 | 220 |
| 250 | 730 | 270 |