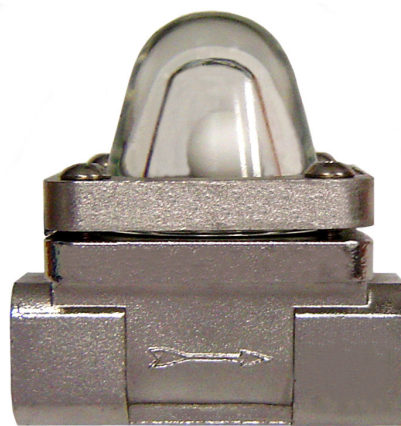




GENERAL CHARACTERISTICS

The indicators of flow of the BL series are designed to operate with liquids or gases even in the presence of aggressive substances. The fluid passing through the valve body lift up a sphere visible through a borosilicate glass dome. The mechanical construction, particularly robust, is stainless steel made.

- Sphere visible from 360°.
- Suitable with high temperatures.
- Easy to install.



TECHNICAL DATA

Tab.1

Ø	DN Code	Q max. l/min	Q min. l/min		ΔP max Bar	P max Bar	T max °C	Weight Kg	Dimensions mm					
			Start	Regime					L	H	A	B	X	SW
1/4"	008	4	0,3	1,5	0,2	16	200	0,8	76	67	42	60	12	28
3/8"	010	8	0,3	1,5	0,2	16	200	0,7	76	67	42	60	16	28
1/2"	015	12	0,3	1,5	0,2	16	200	0,7	76	67	42	60	14	28
3/4"	020	25	2,5	5,0	0,2	16	200	1,4	89	78	42	60	18	45
1"	025	40	4,0	8,0	0,2	16	200	1,3	89	78	42	60	18	45
1.1/2"	040	60	11,0	23,0	0,2	16	200	2,5	118	95	50	77	30	62

See Tab.3

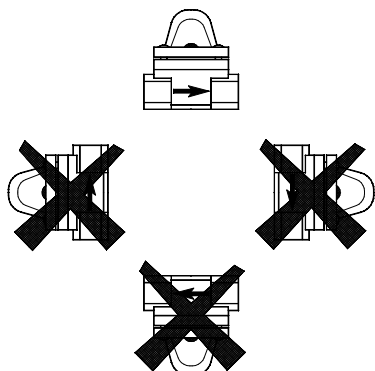
Thread Ø UNI 228/1

MATERIALS

Tab.2

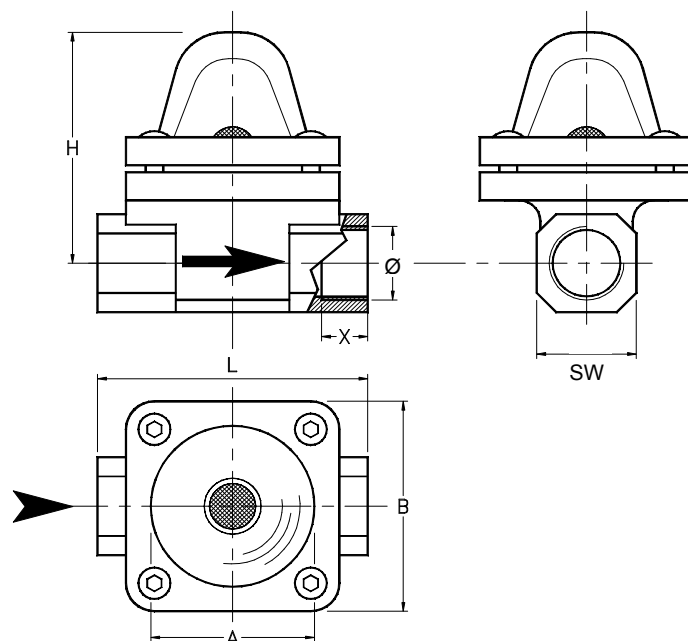
Description	Code
Valve body	Stainless steel 1.4436, 1.4410
Sphere	PTFE
Dome viewer	Borosilicate glass
OR sealing gasket	Viton and Klingersil C4400

INSTALLATION



DIMENSIONS

Tab.3



NOMENCLATURE

BL	025	GK
•		
	•	
		•

	Name - Type
Tab.1	Process connection dimensions
Tab.2	Material

